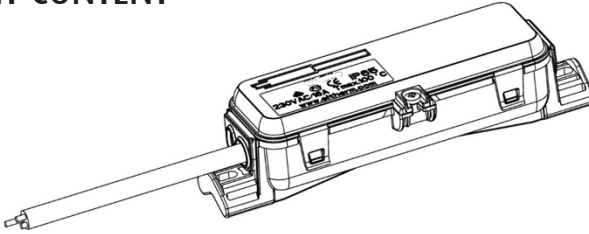


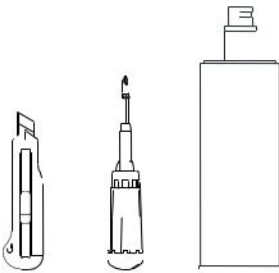
INSTALLATION INSTRUCTIONS

KIT CONTENT



RECOMMENDED TOOLS

Utility knife, Phillips head screwdriver, and silicone spray.



IMPORTANT NOTES AND SAFETY INFORMATION

- Suitable for industrial use. A ground fault protection device must be used with this heating device!
- All steps to be performed by experienced personnel only!
- The Speedfit Pro fast connector system is suitable for a one-time connection only!
- Use with Warmup SR-E & SR-HZ heaters only!
- Minimum installation temperature -25°C / -13°F
- Do not install in areas that can be flooded!
- Do not use foreign tool or object to pierce membrane!

INSTALLATION INSTRUCTIONS

NOTES FOR OUTDOOR EXPOSED APPLICATIONS

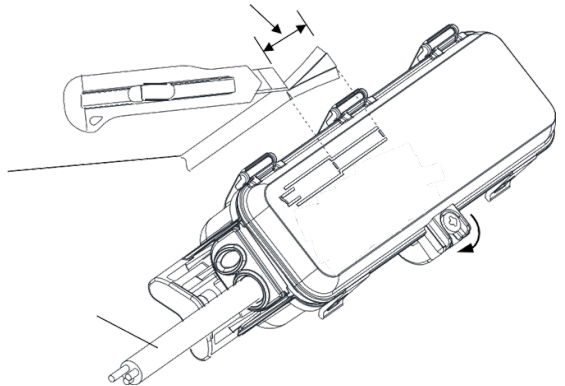
- If possible, install in locations protected from direct exposure to sunlight
- Route connected cables in a way as to prevent water drops from running up to the seal of the Speedfit Pro connector (install “drip loop”)

For integral supply lead: do not remove or replace supply lead.

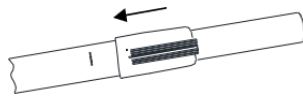
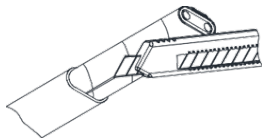
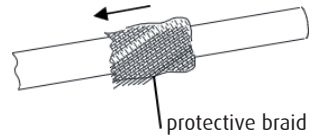
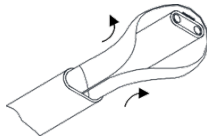
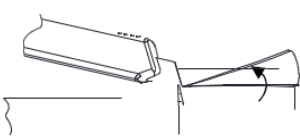
Install supply lead fixed and protected from pull, shear and other mechanical stress!

INSTRUCTIONS

1. Cut heating cable

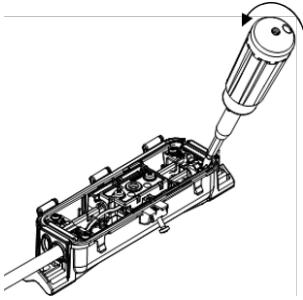


2. Prepare the cable: remove bends in trace heater, then remove insulation

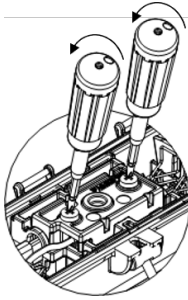


INSTALLATION INSTRUCTIONS

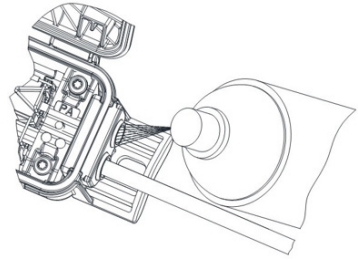
3. Prepare the Speedfit Pro



open strain relief

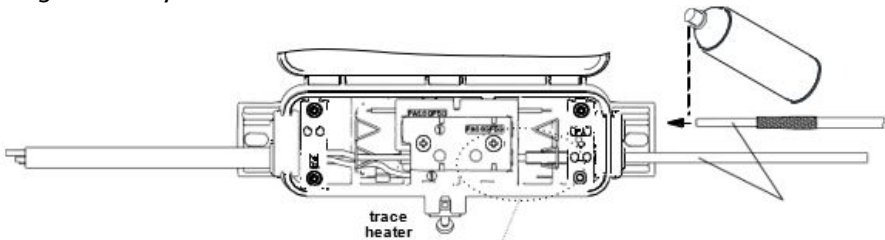


open contact block

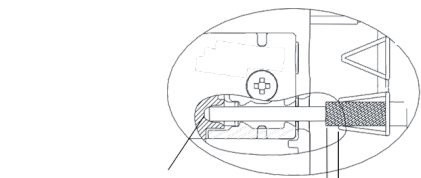


apply silicone spray on the membrane

4. Insert cable. Perform visual check to ensure that blade contacts were not bent during assembly.

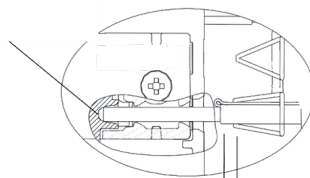


insert against stopper



insert against stopper

protective earth contacting

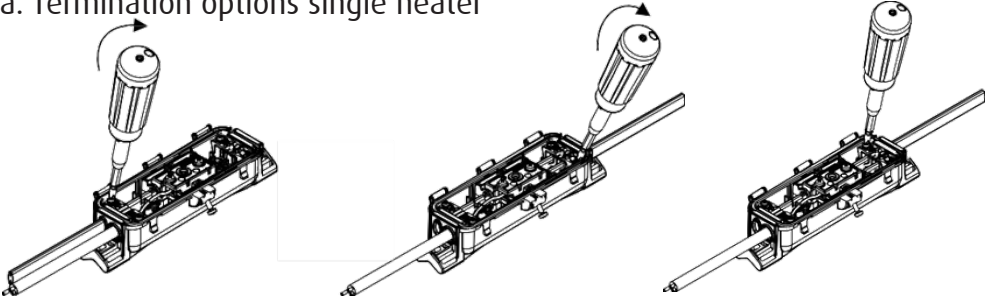


protective earth contacting

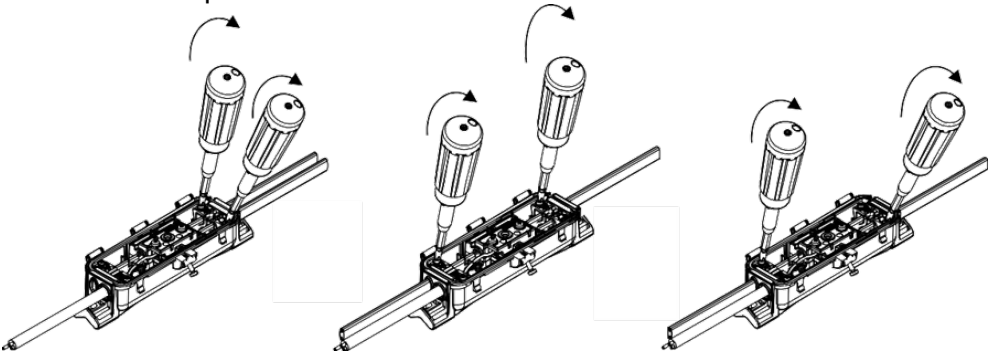
INSTALLATION INSTRUCTIONS

5. Hand tighten strain relief screws

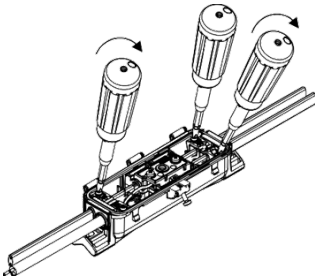
a. Termination options single heater



b. Termination options 2 heaters

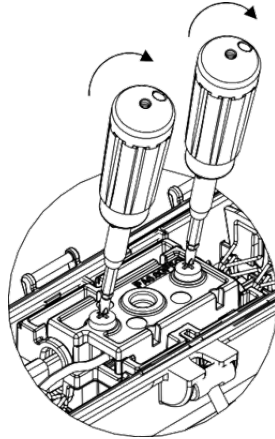


c. Termination option 3 heaters

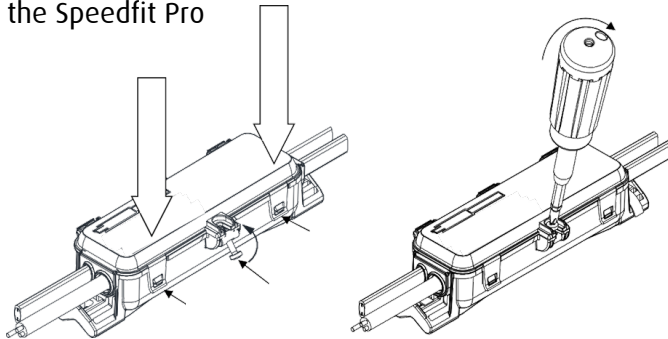


INSTALLATION INSTRUCTIONS

6. Hand-tighten both screws on contact block alternately against body stop



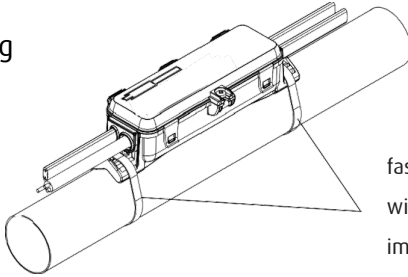
7. Close the Speedfit Pro



INSTALLATION INSTRUCTIONS

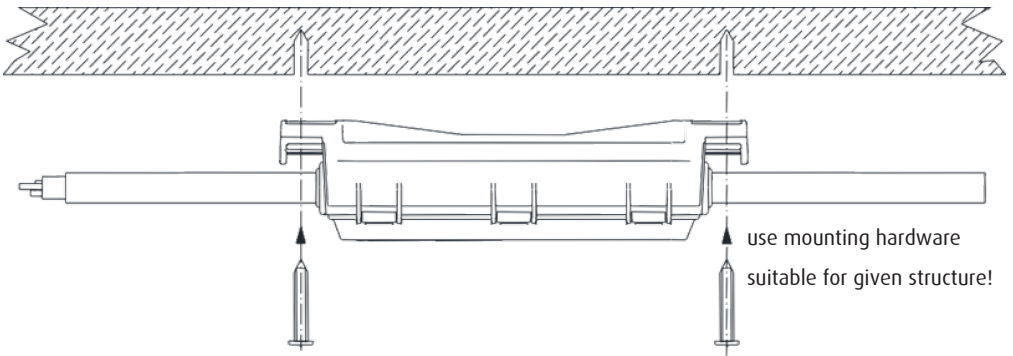
MOUNTING OPTIONS

a. Pipe Mounting



fastening strap or cable tie (max. width 15 mm / 9/16") do not immerse in water

b. Wall mounting



use mounting hardware suitable for given structure!

