

4iE® Smart Thermostats and Baseboards applications

Background

- The 4iE® series thermostats are uniquely designed to control Electric Radiant Heating, including baseboard applications. They have been specially engineered to provide energy monitoring in both wattage and cost to ensure optimum power usage. The Wi-Fi capability allows your 4iE® to program itself using your smartphone location and vary your settings by zone.
- To have your 4iE® thermostat function properly with baseboard applications, you will have to do a few minor adjustments in the 4iE's settings menu.

Settings

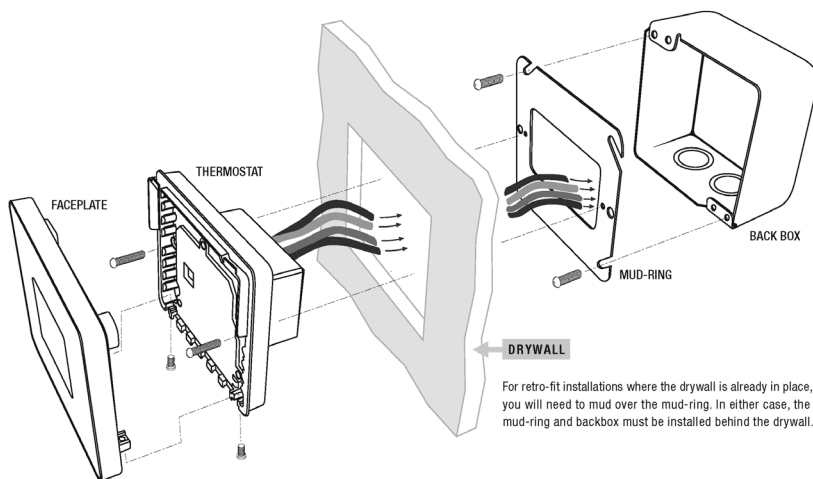
Step 1: Set the heating preference to read air.

- Menu > settings > heating preference > control air/floor > select air > accept

Step 2: Change the PID period to 10 minutes.

- Menu > settings > advanced settings > heater settings > heating limits > user defined > PID period > 10 mins > accept

How to install the 4iE®



NOTE

While the thermostat is dual voltage, it is important to be aware of the wattage maximums.

- 240V: 3600W
- 208V: 3120W
- 120V: 1800W